



**Diffuser Tube & Disk Diffuser**  
**散氣管 & 散氣盤**





- *LONGTECH IS A PROFESSIONAL MANUFACTURER OF ROOTS TYPE BLOWER.*
- *LONGTECH HAS R&D ABILITY AND OEM/ODM FOR CUSTOMER.*
- *LONGTECH PRODUCE 1200-1500 BLOWERS FOR EACH SINGLE MONTH.*



# HIGH-PERFORMANCE AIR BUBBLE TUBE DIFFUSER 高效率細氣泡散氣管

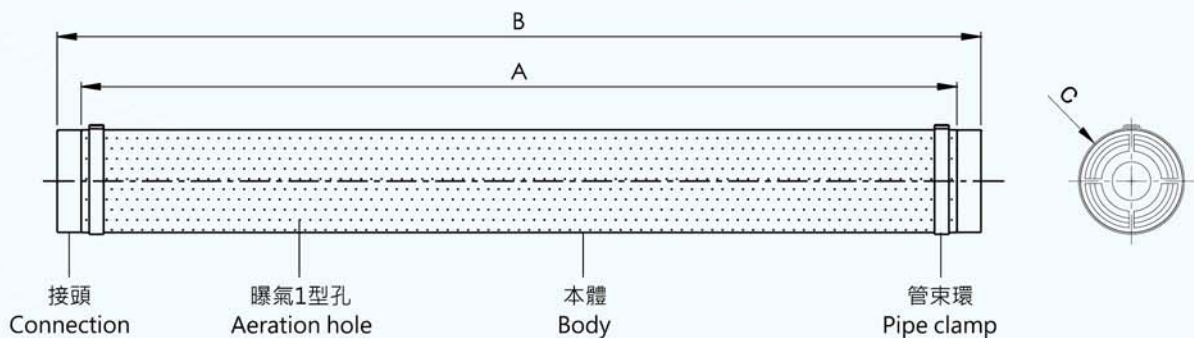
高氧傳輸效率 ■ 低壓降損失散氣管  
HIGH PERFORMANCE AND LOW HEAD LOSS.

## 產品特性 FEATURES

- 氣泡分散良好，氧氣傳輸效率高。
- High oxygen transfer efficiency.
- 本體EPDM，耐彈性疲乏，可長久使用。
- High EPDM membrane tenacity.
- 重量輕，安裝容易。
- Light weight & easy installation.
- 壓力損失小。
- Fewer pressure losses.
- 構造簡單。
- Simple construction.

## 用途 APPLICATION:

- 污水處理系統中的活性污泥槽，接觸曝氣槽曝氣用。
- Contact aeration system.
- 淨化槽曝氣或調節槽攪拌。
- Agitation of adjustment tank.
- 養殖場供氧。
- Aeration of fishponds.



Model 規格	Material 材質	Air Flow Rate 標準通氣量	A	B	C	Connection Size 牙口規格
LTF-275-Φ64	Body EPDM, Connection ABS or Compound resin 本體EPDM接頭、 套頭ABS或合成樹脂	80-120 L/min	275mm	305mm	64mm	PT - 3/4" female
LTF-550-Φ64		160-240 L/min	550mm	580mm	64mm	PT - 3/4" female
LTF-620-Φ64		180-270 L/min	620mm	650mm	64mm	PT - 3/4" female
LTF-1000-Φ64		290-440 L/min	1000mm	1030mm	64mm	PT - 3/4" female
LTF-550-Φ95		350-530 L/min	550mm	590mm	95mm	PT - 1 1/4" female
LTF-620-Φ95		395-595 L/min	620mm	660mm	95mm	PT - 1 1/4" female
LTF-1000-Φ95		640-970 L/min	1000mm	1040mm	95mm	PT - 1 1/4" female

## COARSE BUBBLE DISK DIFFUSER

### 粗氣泡散氣盤

#### LTD-144

高耐蝕性、壓力損失低的散器盤

HIGH CORROSION RESISTANCE AND LOW HEAD LOSS.

#### 產品特性 FEATURES

■ **完全不逆流**

依據水量及材質的特性構造而成，若散氣終止時，完全不會逆流。

■ **THE HARD ENDURING DIFFUSER LIMITS PRESSURE LOSSES:**

The flexible valve enables precise adjustment of the pressure discharge force with the use of an air volume gauge, leading to fewer pressure losses.

■ **相當出色的耐蝕性**

因本體是ABS製品，曝氣膠膜則採樹脂、可塑性強又有彈性的材質，使用上不論耐蝕性、耐氧性、耐油性都很強，較一般橡膠耐用強三倍以上。

■ **HARD ENDURING DIFFUSER WITH EXCELLENT CORROSION RESISTANCE:**

The hard enduring diffuser is constructed with a state-of-the-art ABS compound, which boasts outstanding temperature resistance. The valve is made of high quality synthetic resin that is both long-lasting and resistant to oil and corrosion. It has roughly three times the lifespan of ordinary rubber.

■ **減少壓力的損失**

因曝氣膠膜具有單向出風口，能應對通風量而有變化，因此可減少壓力，不易變形。

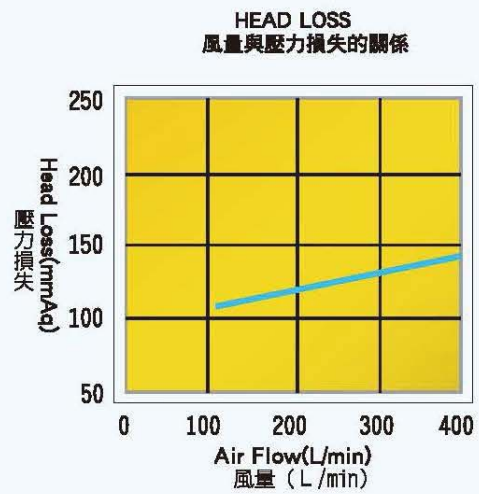
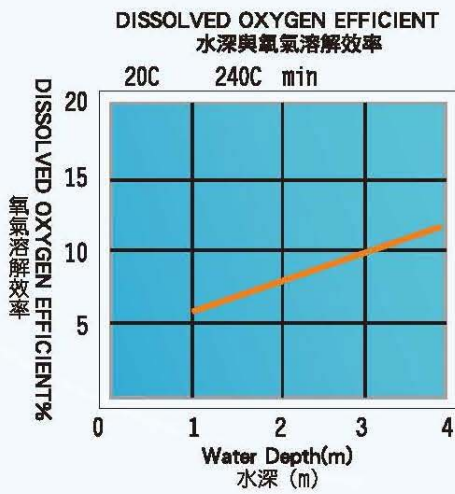
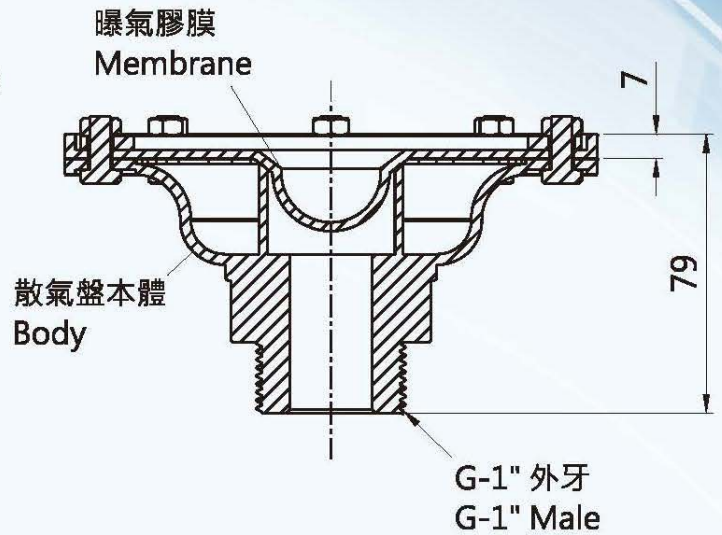
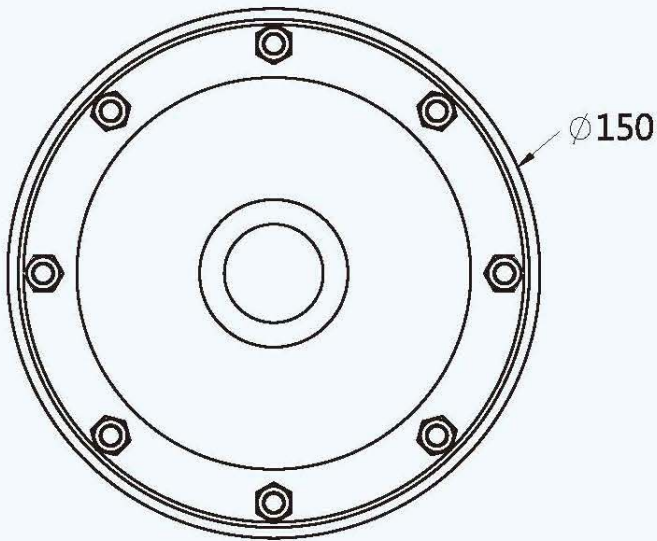
■ **FULLY-CLOSED AGAINST BACKFLOW:**

If the air diffuser is stopped, a specially constructed valve is designated to provide a complete seal between the cutout air flow from underneath and the water pressure above. This naturally prevents any undesired backflow of murky water into the apparatus.





# LTD-144

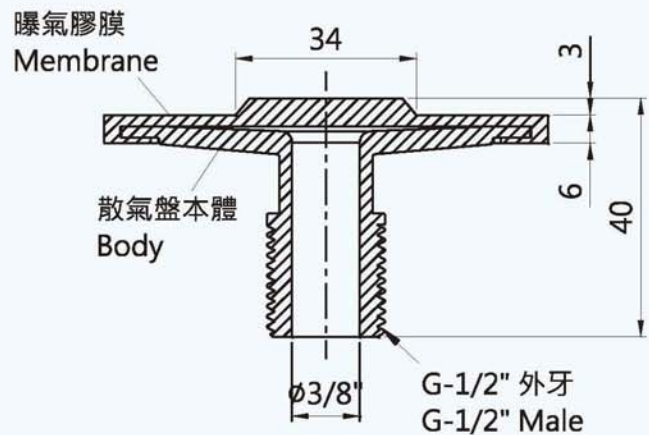
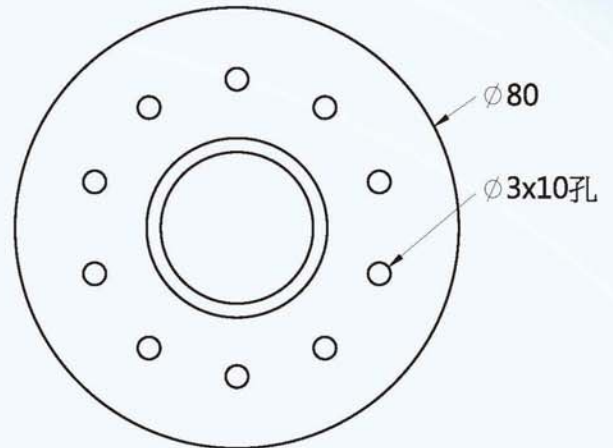


<b>SPECIFICATION</b> 規格	A. G-1"外牙 B. 直徑：150mm C. 高度：79mm D. 通氣量：0.1-0.45 m3/min	A. G-1" male. B. Diameter：150mm C. Height：79mm D. Air Flow Rate：0.1~0.45 m3/min
<b>FEATURES</b> 特點	1. 安裝容易 2. 構造堅固耐用 3. 溶氧效率高，耐腐蝕性 4. 有逆止作用，永不阻塞	1. Easy to install. 2. Rugged construction. 3. High oxygen transfer efficiency, And corrosion resistance. 4. Prevent backflow without clogging.
<b>Structure &amp; Material</b> 構造材質	曝氣膠膜：熱可塑性樹脂 散氣盤本體：ABS	Membrane：Thermoplastic Resin Body：ABS

## COARSE BUBBLE DISK DIFFUSER

### 粗氣泡散氣盤

LTD-080



<p><b>SPECIFICATION</b> 規格</p>	<p>A. G-1/2"外牙，<math>\psi</math> 3/8"入氣口 B. 直徑：80mm C. 高度：40mm D. 通氣量：0.08-0.10 m<sup>3</sup>/min</p>	<p>A. G-1/2" male，<math>\psi</math> 3/8" inlet. B. Diameter：80mm C. Height：40mm D. Air Flow Rate：0.08-0.10 m<sup>3</sup>/min</p>
<p><b>FEATURES</b> 特點</p>	<p>1. 配合國內現成1/2"接頭，安裝容易 2. 構造堅固耐用 3. 溶氧效率高，耐腐蝕性 4. 有逆止作用，永不阻塞</p>	<p>1. Easy to install. 2. Rugged construction. 3. High oxygen transfer efficiency, And corrosion resistance. 4. Prevent backflow without clogging.</p>
<p><b>Structure &amp; Material</b> 構造材質</p>	<p>曝氣膠膜：Neoprene Rubber耐酸鹼 散氣盤本體：ABS</p>	<p>Membrane：Neoprene Rubber Body：ABS</p>

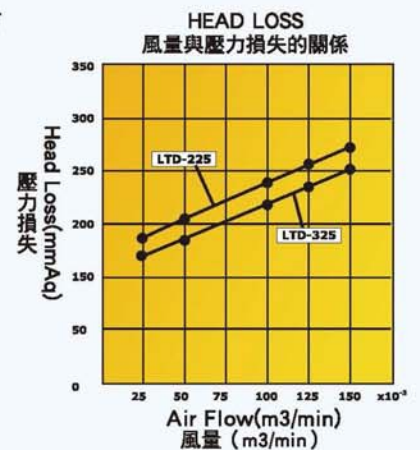
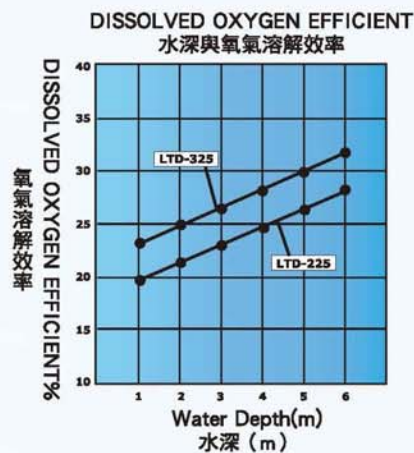
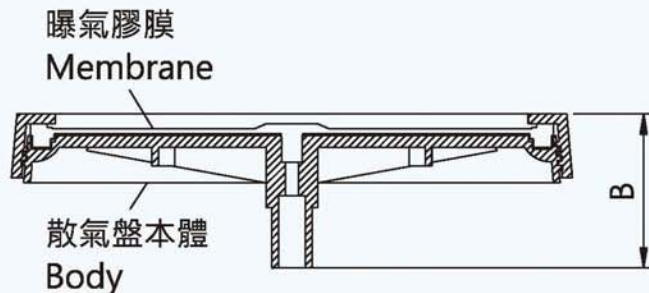
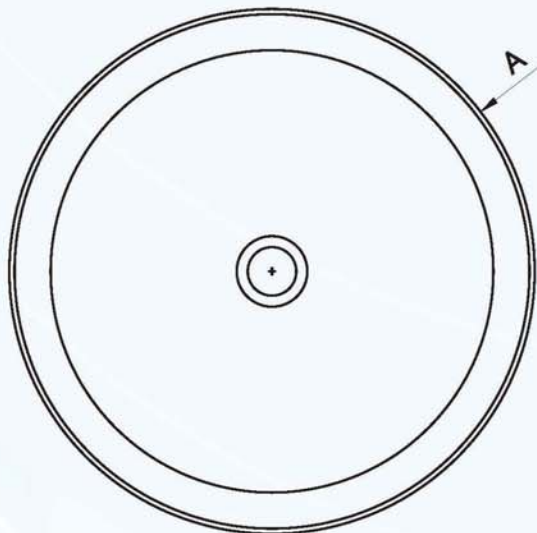
# FINE BUBBLE DISK DIFFUSER

## 細氣泡散氣盤

### LTD-225/260/325

#### 產品特性 FEATURES

- 安裝容易。
- Easy to install.
- 耐久性（普通橡膠壽命的三倍）。
- Long-lasting (three times the life-span of ordinary rubber).
- 更高的氧氣溶解率。
- Higher oxygen dissolution rate.
- 耐腐蝕。
- Corrosion resistance.
- 防止回流而不堵塞。
- Prevent backflow without clogging.
- 耐油耐腐蝕閥門。
- Oil and corrosion resistant valve.
- 可完全關閉防止回流。
- Fully-closed against backflow.



Model 規格	Material 材質	A	B	Air Flow Rate 標準通氣量	Connection Size 牙口規格
LTD-225	ABS & PP	225mm	65mm	0.020-0.12m <sup>3</sup> /min	NPT-3/4" male
LTD-260	EPDM & PP	265mm	68mm	0.02-0.10 m <sup>3</sup> /min	NPT-3/4" male
LTD-325	ABS & PP	325mm	75mm	0.020-0.26 m <sup>3</sup> /min	NPT-3/4" male



龍鐵機械工業股份有限公司  
LONGTECH MACHINERY INDUSTRY CO., LTD.

